

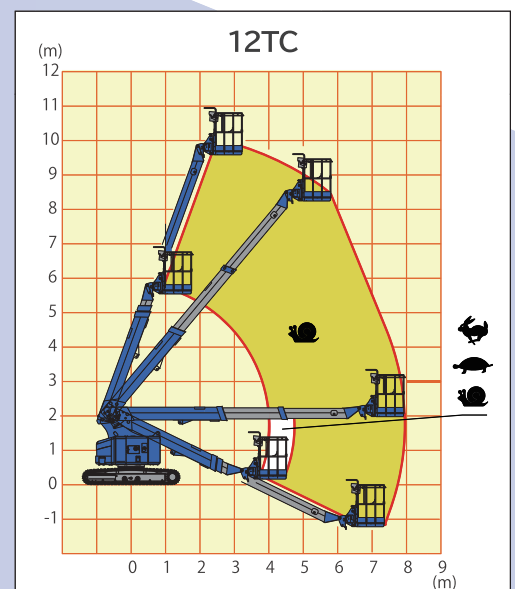
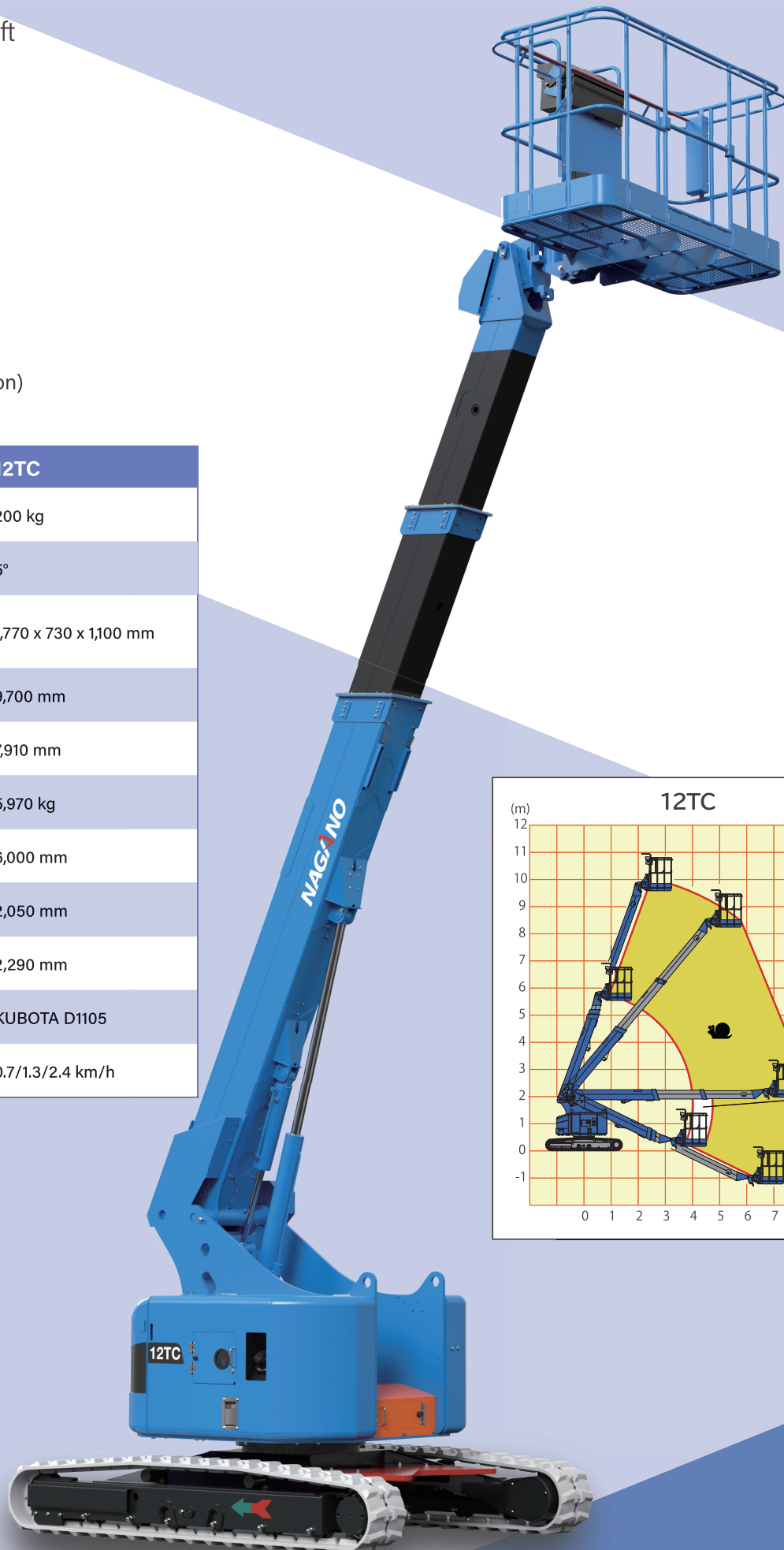
→ Nagano 12TC

Telescopic boom lift
Crawler type

FEATURES

- ✓ Low emission
- ✓ Allowable tilt 5°
- ✓ Zero / short tail
- ✓ Overload sensing
- ✓ Total range traveling
- ✓ Wide platform (6ft)
- ✓ Lighting system (option)

MODEL	12TC
Platform capacity	200 kg
Allowable	5°
Platform dimensions (W x L x H)	1,770 x 730 x 1,100 mm
Platform height (max)	9,700 mm
Horizontal reach (max)	7,910 mm
Machine weight	5,970 kg
Overall length	6,000 mm
Overall width	2,050 mm
Overall height	2,290 mm
Engine model	KUBOTA D1105
Travel speeds	0.7/1.3/2.4 km/h



Lifting the machine

- ⚠ Use only qualified rigging to hoist the machine.
- ⚠ Be sure that lifting devices and crane are sufficient to withstand the machine weight.
- Ensure the boom is in stowed position before lifting.
- Determine the center of gravity of the machine as shown below.
- Attach the rigging to designated lifting rings on the machine.
- Insert protective materials where rigging may interfere with the machine.

