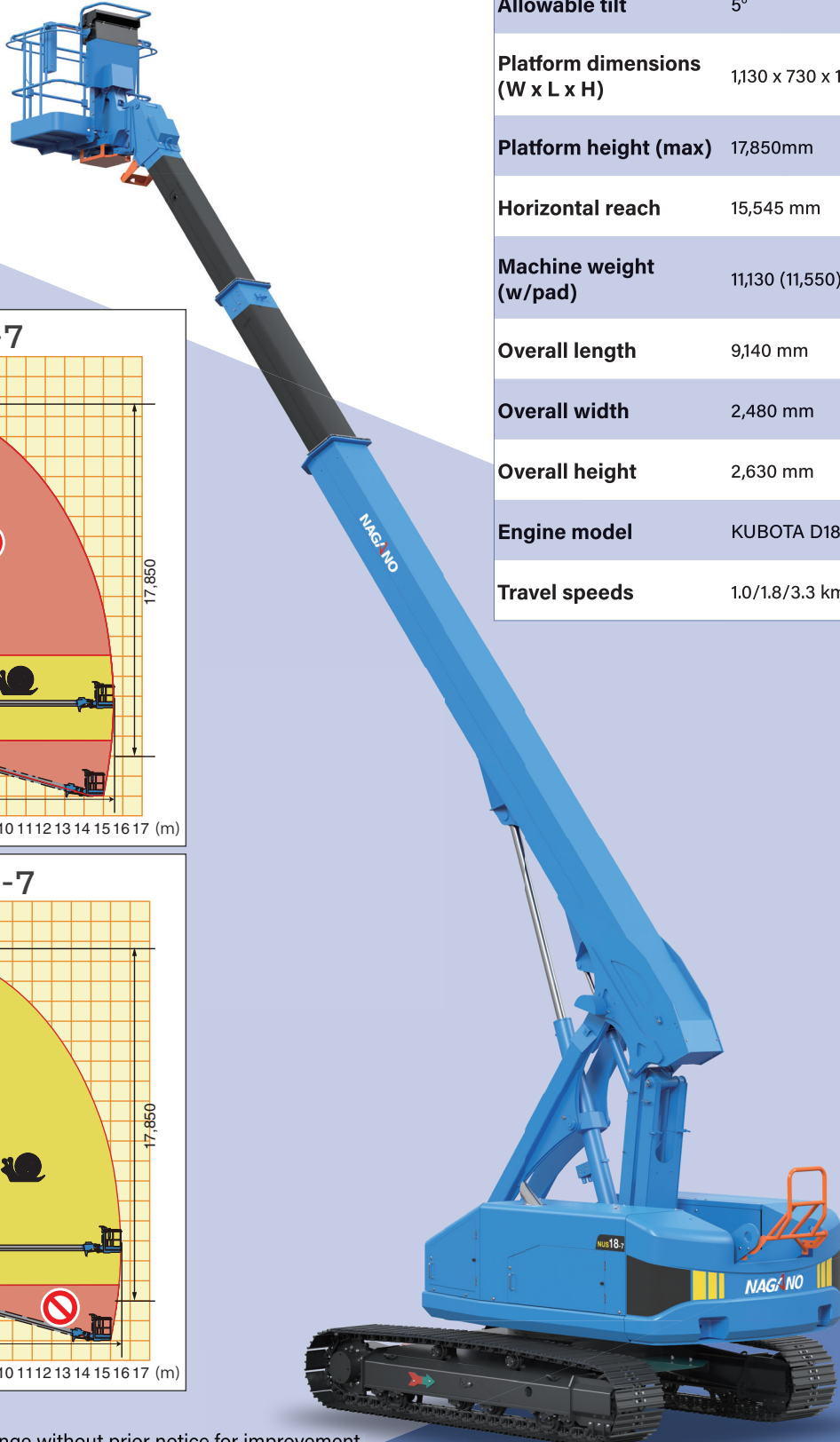


→ NUS18-7/NUS18N-7

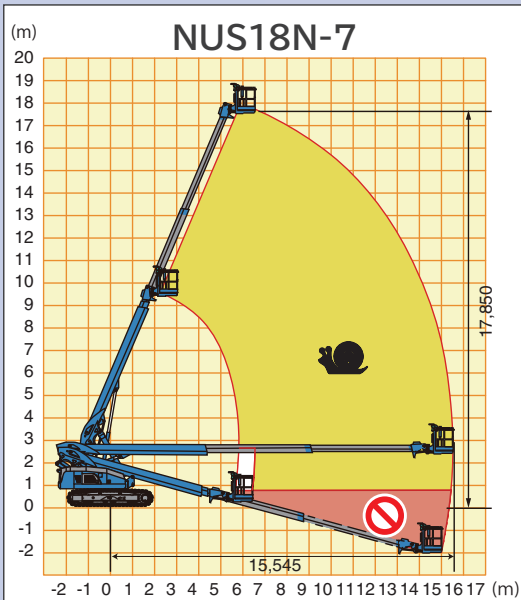
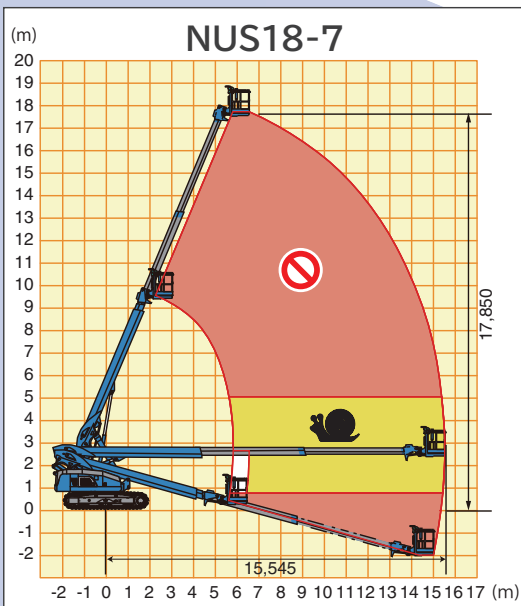
Crawler type
Telescopic boom lift

FEATURES

- ✓ Allowable tilt 5°
- ✓ Operation restriction (slope)
- ✓ Overload sensing
- ✓ 6 ft platform (option)
- ✓ Travel stop regulation (NUS18-7)
- ✓ Total range traveling (NUS18N-7)



| TYPE | NUS18-7/NUS18N-7 |
|---------------------------------|------------------------|
| Platform capacity | 250 kg |
| Allowable tilt | 5° |
| Platform dimensions (W x L x H) | 1,130 x 730 x 1,000 mm |
| Platform height (max) | 17,850mm |
| Horizontal reach | 15,545 mm |
| Machine weight (w/pad) | 11,130 (11,550) kg |
| Overall length | 9,140 mm |
| Overall width | 2,480 mm |
| Overall height | 2,630 mm |
| Engine model | KUBOTA D1803 |
| Travel speeds | 1.0/1.8/3.3 km/h |



Lifting the machine

- ⚠ Use only qualified rigging to hoist the machine.
- ⚠ Be sure that lifting devices and crane are sufficient to withstand the machine weight.
- Ensure the boom is in stowed position before lifting.
- Determine the center of gravity of the machine as shown below.
- Attach the rigging to designated lifting rings on the machine.
- Insert protective materials where rigging may interfere with the machine.

